

ELITE SERIES
CLIR 630w

TECHNICAL DATA
FIXTURE



**Shown with standard visor, available extended visor for maximum glare/spill control*



ELITE SERIES
CLIR 630w

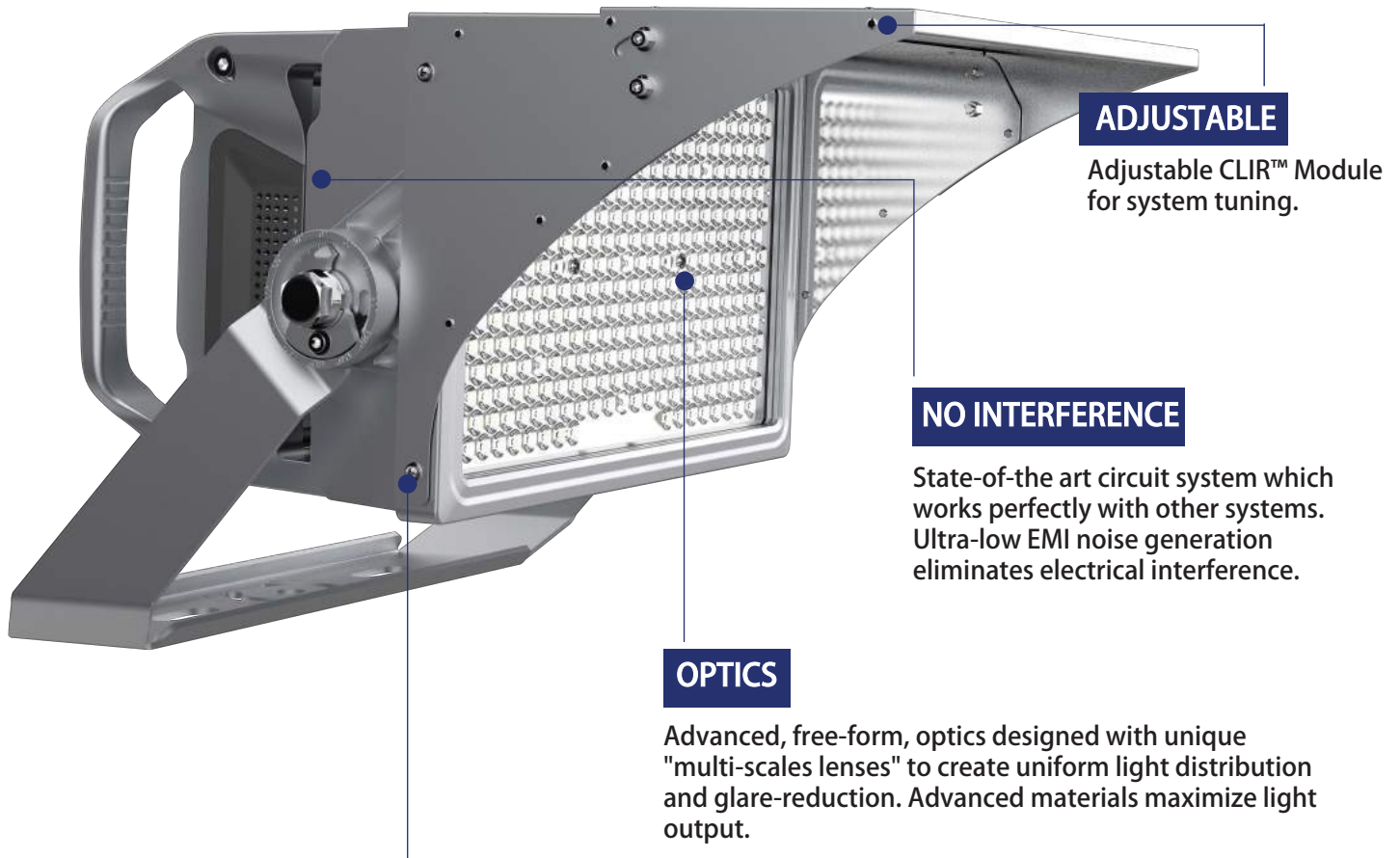
TECHNICAL DATA
SYSTEM SPECIFICATIONS

- SYSTEM WATTS: **630w**
- LUMEN OUTPUT: **85,000**
- kW Load: **646 watts**
- EPA: **1.5**
- WEIGHT: **41lbs**
- CLIR Module: **OM, CM, ECM**
- BEAM ANGLE: **N, M, W, EW**
- POWER FACTOR: **0.95**
- CCT: **5700K**
- CRI: **>70Ra**
- INPUT VOLTAGE: **208-480v**
- INPUT PROTECTION: **10KV Current Surge**
- DRIVER: **Integral, Remote**
- IP RATING: **IP66, IP68**
- OPERATING TEMP RANGE: **-40°C to +55°C**
- HOUSING MATERIAL: **Aluminum Powder Coated**



ELITE SERIES
CLIR 630w

TECHNICAL DATA
TECHNOLOGY CHANGES PERFORMANCE



ADJUSTABLE

Adjustable CLIR™ Module for system tuning.

NO INTERFERENCE

State-of-the art circuit system which works perfectly with other systems. Ultra-low EMI noise generation eliminates electrical interference.

OPTICS

Advanced, free-form, optics designed with unique "multi-scales lenses" to create uniform light distribution and glare-reduction. Advanced materials maximize light output.

SOLID STATE DESIGN

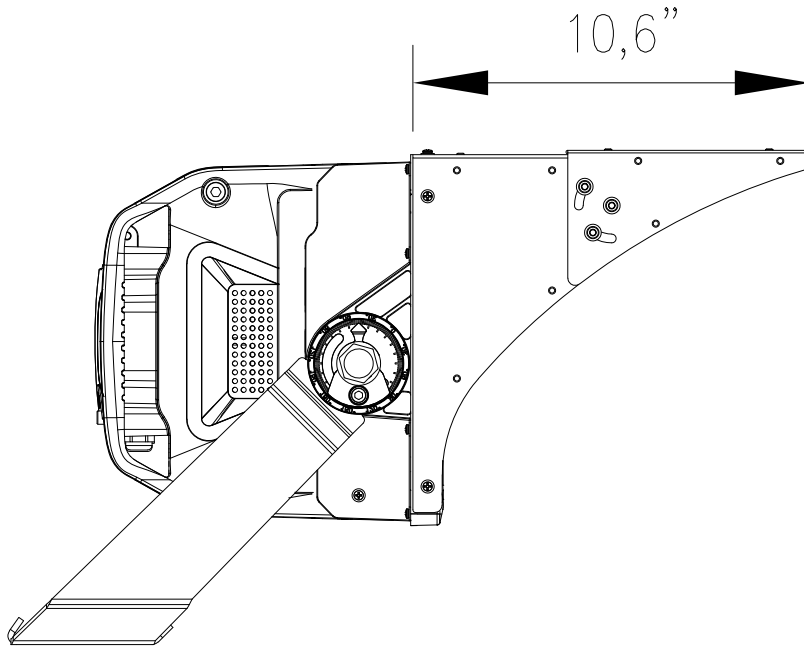
Unique "SSD" design, simple, and advanced. Ensures durability of LED chip.
All parts are individual, rugged and strong.

**Shown with standard visor, available extended visor for maximum glare/spill control*

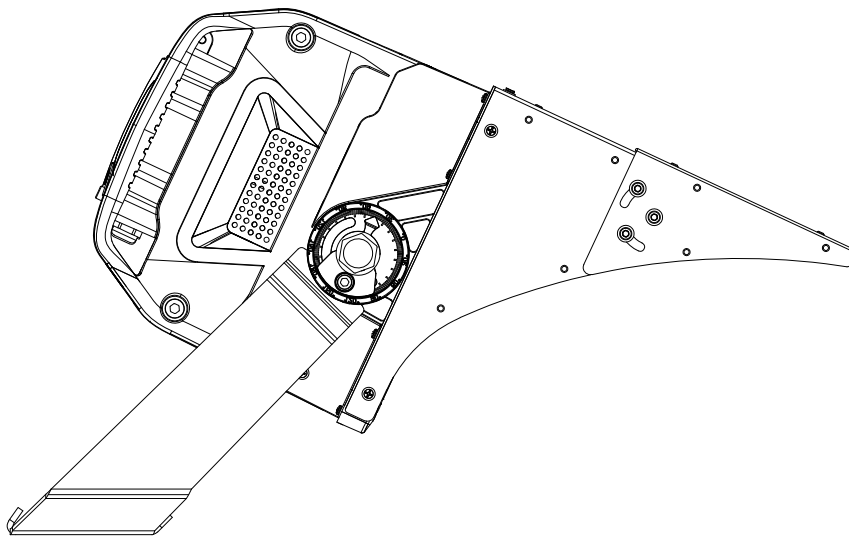
ELITE SERIES

CLIR 630w - Standard Visor

TECHNICAL DATA



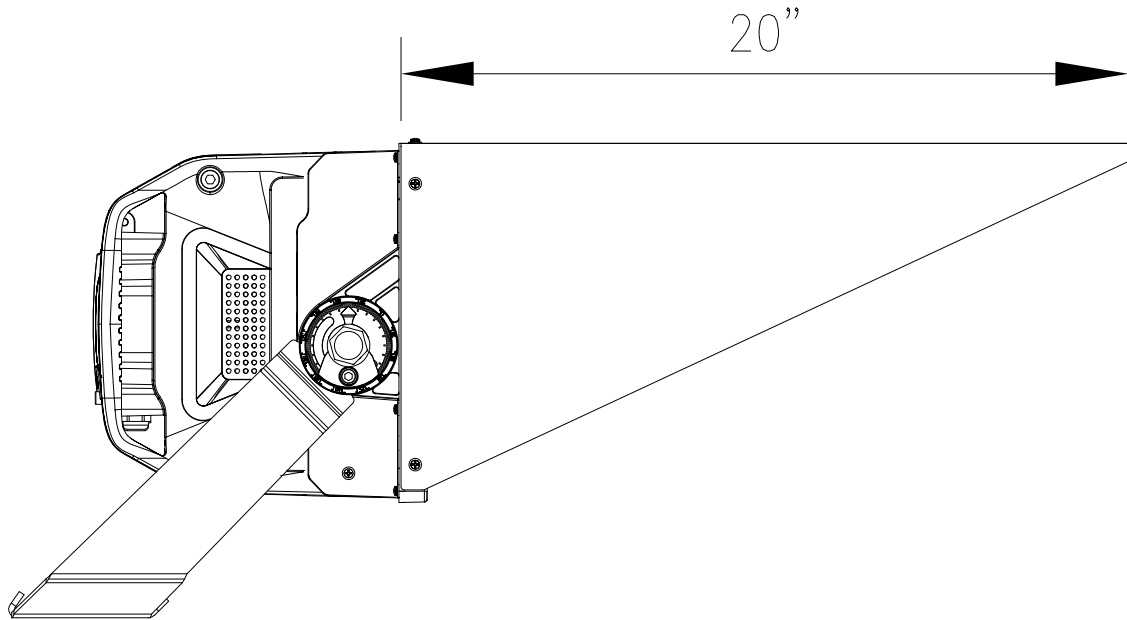
Fixture Aimed 25° Below Horizontal



ELITE SERIES

CLIR 630w - Extended Visor

TECHNICAL DATA



Fixture Aimed 25° Below Horizontal

